

MLC 8-27U / -32U

Most Versatile All-in-One Medical Panel Computer Family with Selectable 8th Generation Intel® Core™ Processor Performance

Features

- Medical class I certified product
- Landscape or portrait operation with integrated LED status bar
- Powerful 8th Gen Intel® Core™ i3 / i5 / i7 processors
- 27" or 32" Ultra HD display with optically bonded PCAP multi-touch touchscreen and anti-glare coated safety glass for unsurpassed visualization capabilities
- 7 illuminated soft-touch function keys on the front glass
- Edge-to-edge glass surface and patent-pending, screwless design allows for easy and faster cleaning and disinfection procedures
- Fully sealed aluminium housing and fanless design for high hygienic standards with IP65-rated ingress protection and 360 degrees anti-bacterial treatment
- Galvanically isolated network ports and optional USB and serial port isolation for installations in mixed environments (2 MOPP)
- 4 internal expansion slots for storage, networking and processing cards

Preliminary



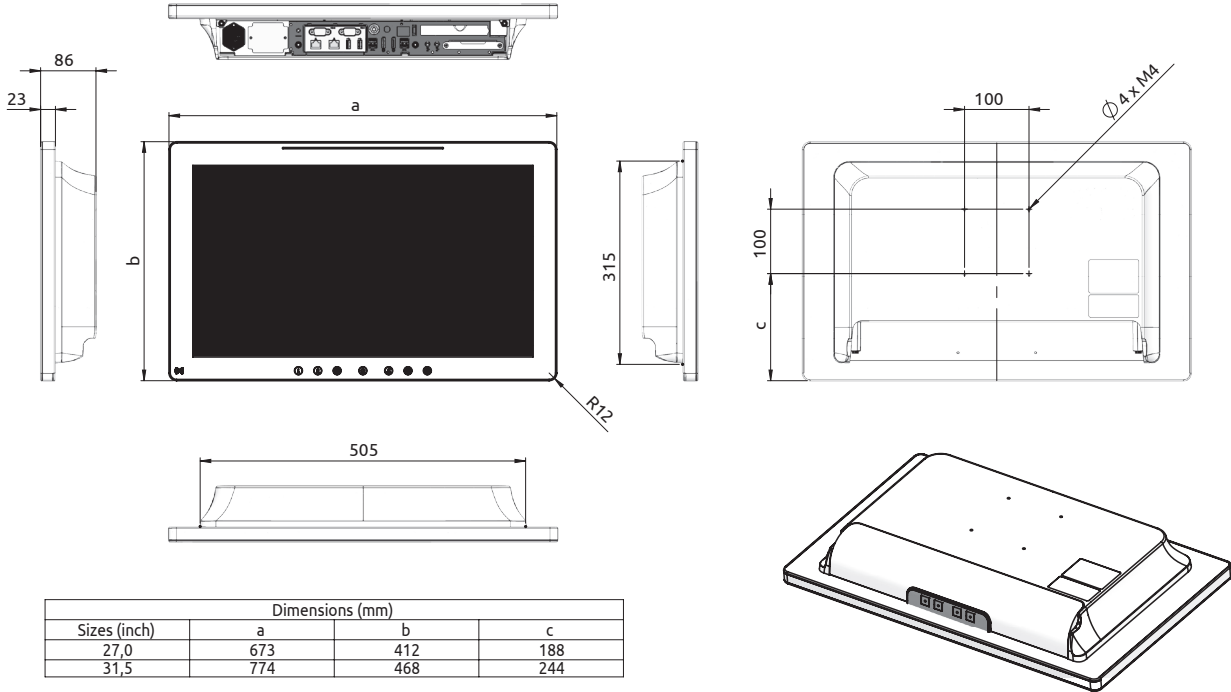
System	
CPU	8th Gen. Intel® Core™ i3, i5 or i7 Processor
Chipset	Intel® Q370 Chipset
Graphics	Intel® UHD Graphics 630
RAM	up to 64 GB DDR4L 2400/2666
Memory Cache	up to 12MB SmartCache
Storage	M.2 SSD and SATA SSD/HDD options*
Interfaces	
I/O	2 x Ethernet 10/100/1000 Mbit/s, 4 kV isolated
	4 x USB 3.1 GEN1
	2 x USB 2.0, 4 kV isolated (optional)
	2 x DisplayPort, max. res. 4096x2304@60Hz
	1 x PCIe x16 expansion slot
	1 x m.2 2230 size slot to support PCIe x1
	1 x m.2 2280 size slot to support SATA/PCIe x1
	1 x full size mPCIe slot to support PCIe/mSATA
	Audio Line-out / Mic-in
User Interface	7 illuminated keys on the front glass with the following functions: - Standby ON/OFF - Touch cleaning enable/disable - Panel brightness increase - Panel brightness decrease - Display keyboard ON/OFF - 2 x customizable function keys

Electrical	
Power	100-240V ~ 50/60 Hz (internal medical-grade PSU) or 24 VDC (external medical-grade PSU)
Display	
TFT Panel	27" or 31.5" Ultra HD 3840x2160 resolution, 1.07B colors
Luminance	up to 700 cd/m ²
Viewing Angle V/H	178°/178°
Mechanical	
Dimensions (WxHxD)	refer to the back of this page
Weight (approx.)	27": 13.3 kg; 31.5": TBD
Housing	Aluminum powder-coated, anti-bacterial
Mounting	VESA 100
Environmental	
Operating	0°C to +30°C / 5% to 95% rel. humidity (non-condensing)
Storage	-10°C to +60°C, 5% to 95% rel. humidity (non-condensing)
Ingress Rating	IP65 protection from 5-sides (from 6 sides with cable cover attached)
Certificates	
	IEC 60601-1:2012 & EN 60601-1:2013 (Safety ed. 3.1) IEC 60601-1-2:2014 & EN 60601-1-2:2015 (EMC 4th ed.)

Dimensions

MLC 8 Series

Units: mm



Dimensions (mm)			
Sizes (inch)	a	b	c
27,0	673	412	188
31,5	774	468	244

Ordering Information

MLC 8-27UT-7	27" Ultra HD Display with 10-point multitouch, Intel® i7-6 core, 8GB RAM, 128GB 2.5" SSD
MLC 8-27UT-5	27" Ultra HD Display with 10-point multitouch, Intel® i5-6 core, 8GB RAM, 128GB 2.5" SSD
MLC 8-27UT-3	27" Ultra HD Display with 10-point multitouch, Intel® i3-4 core, 8GB RAM, 128GB 2.5" SSD
MLC 8-32UT-7	32" Ultra HD Display with 10-point multitouch, Intel® i7-6 core, 8GB RAM, 128GB 2.5" SSD
MLC 8-32UT-5	32" Ultra HD Display with 10-point multitouch, Intel® i5-6 core, 8GB RAM, 128GB 2.5" SSD
MLC 8-32UT-3	32" Ultra HD Display with 10-point multitouch, Intel® i3-4 core, 8GB RAM, 128GB 2.5" SSD

Options

DDR4-16	16GB RAM (total capacity)
DDR4-32	32GB RAM (total capacity)
DDR4-64	64GB RAM (total capacity)
2 x RS-232 with 4 kV Isolation	2 x RS-232 ports with 4 kV isolation (up to 6 x RS-232 ports in total)
2 x USB 2.0 with 4 kV Isolation	2 x USB 2.0 ports with 4 kV isolation (replacing 2 x standard USB 2.0 ports)
Rotation Kit	Extension kit for automatic switching of OSD buttons and LED bar in portrait mode
Wi-Fi/BT Module	WLAN module, including Bluetooth functionality
RFID Reader	RFID reader
Battery Backup Package	Battery backup package, up to approx. 10min capacity
PCIe x16 Riser Card	PCIe x16 riser card
Operating System	Windows 10 IoT Enterprise LTSB 2019

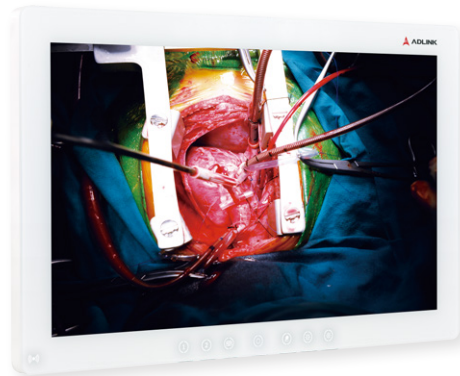
*For HDD and SSD storage options, please contact your ADLINK sales representative.

MLC 8-21 / -23 / -27

Most Versatile All-in-One Medical Panel Computer Family with Selectable 8th Generation Intel® Core™ Processor Performance

Features

- Medical class I certified product
- Landscape or portrait operation with integrated LED status bar
- Powerful 8th Gen Intel® Core™ i3 / i5 / i7 processors
- 21.5", 23.8" or 27" Full HD display with optically bonded PCAP multi-touch touchscreen and anti-glare coated safety glass for unsurpassed visualization capabilities
- 7 illuminated soft-touch function keys on the front glass
- Edge-to-edge glass surface and patent-pending, screwless design allows for easy and faster cleaning and disinfection procedures
- Fully sealed aluminium housing and fanless design for high hygienic standards with IP54 rated ingress protection and 360 degrees anti-bacterial treatment
- Galvanically isolated network ports and optional USB and serial port isolation for installations in mixed environments (2 MOPP)
- 4 internal expansion slots for storage, networking and processing cards



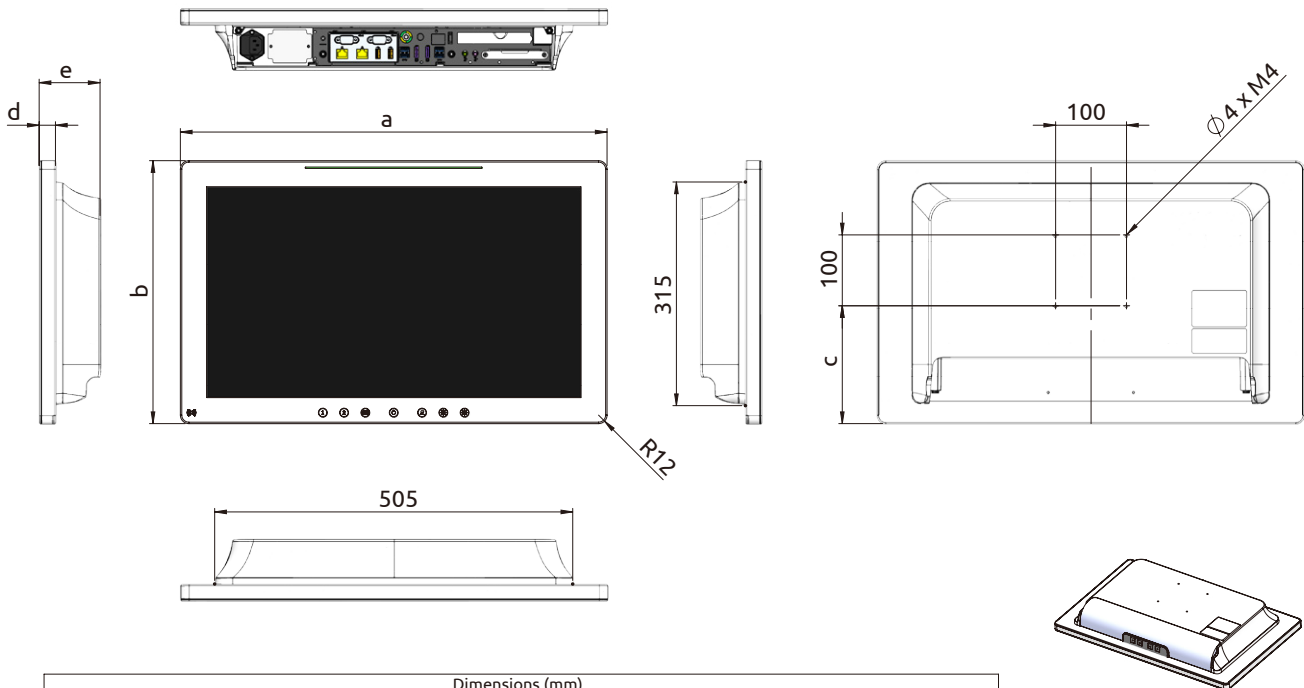
System	
CPU	8th Gen. Intel® Core™ i3, i5 or i7 Processor
Chipset	Intel® Q370 Chipset
Graphics	Intel® UHD Graphics 630
RAM	up to 64 GB DDR4L 2400/2666
Memory Cache	up to 12MB SmartCache
Storage	M.2 SSD and SATA SSD/HDD options*
Interfaces	
I/O	2 x Ethernet 10/100/1000 Mbit/s, 4 kV isolated
	4 x USB 3.1 GEN1
	2 x USB 2.0, 4 kV isolated (optional)
	2 x DisplayPort, max. res. 4096x2304@60Hz
	1 x PCIe x16 expansion slot
	1 x M.2 2230 size slot to support PCIe1
	1 x M.2 2280 size slot to support SATA/PCIex1
	1 x full size mPCIe slot to support PCIe/mSATA
	Audio Line-out / Mic-in
User Interface	7 illuminated keys on the front glass with the following functions: - Standby ON/OFF - Touch cleaning enable/disable - Panel brightness increase - Panel brightness decrease - Display keyboard ON/OFF - 2 x customizable function keys

Electrical	
Power	100-240V ~ 50/60 Hz (internal medical-grade PSU) or 24 VDC (external medical-grade PSU)
Display	
TFT Panel	21.5" / 23.8" / 27" Full HD 1920 x 1080 res., 16.7M colors
Luminance	up to 830 cd/m²
Viewing Angle V/H	178°/178°
Mechanical	
Dimensions (WxHxD)	refer to the back of this page
Weight (approx.)	21.5": 10 kg; 23.8": 11.4 kg; 27": 12.3 kg
Housing	Aluminum powder-coated, anti-bacterial
Mounting	VESA 100
Environmental	
Operating	0°C to +30°C / 5% to 95% rel. humidity (non-condensing)
Storage	-10°C to +60°C, 5% to 95% rel. humidity (non-condensing)
Ingress Rating	IP54 protection from 5 sides (from 6 sides with cable cover attached)
Certificates	
	IEC 60601-1:2012 & EN 60601-1:2013 (Safety ed. 3.1) IEC 60601-1-2:2014 & EN 60601-1-2:2015 (EMC 4th ed.)

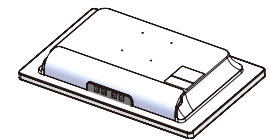
Dimensions

MLC 8 Series

Units: mm



Dimensions (mm)					
Sizes (inch)	a	b	c	d	e
21,5	551	342	152	23	86
23,8	602	371	166	23	86
27,0	673	412	188	33	96



Ordering Information	
MLC 8-21T-7	21.5" Full HD Display with 10-point multitouch, Intel® i7, 6-core, 8GB RAM, 128GB 2.5" SSD
MLC 8-23T-7	23.8" Full HD Display with 10-point multitouch, Intel® i7, 6-core, 8GB RAM, 128GB 2.5" SSD
MLC 8-27T-7	27" Full HD Display with 10-point multitouch, Intel® i7, 6-core, 8GB RAM, 128GB 2.5" SSD
MLC 8-21T-5	21.5" Full HD Display with 10-point multitouch, Intel® i5, 6-core, 8GB RAM, 128GB 2.5" SSD
MLC 8-23T-5	23.8" Full HD Display with 10-point multitouch, Intel® i5, 6-core, 8GB RAM, 128GB 2.5" SSD
MLC 8-27T-5	27" Full HD Display with 10-point multitouch, Intel® i5, 6-core, 8GB RAM, 128GB 2.5" SSD
MLC 8-21T-3	21.5" Full HD Display with 10-point multitouch, Intel® i3, 4-core, 8GB RAM, 128GB 2.5" SSD
MLC 8-23T-3	23.8" Full HD Display with 10-point multitouch, Intel® i3, 4-core, 8GB RAM, 128GB 2.5" SSD
MLC 8-27T-3	27" Full HD Display with 10-point multitouch, Intel® i3, 4-core, 8GB RAM, 128GB 2.5" SSD

Options	
DDR4-16	16GB RAM (total capacity)
DDR4-32	32GB RAM (total capacity)
DDR4-64	64GB RAM (total capacity)
2 x RS-232 with 4 kV Isolation	2 x RS-232 with 4 kV isolation (up to 6 x RS-232 ports in total)
2 x USB 2.0 with 4 kV Isolation	2 x USB 2.0 with 4 kV isolation (replacing 2 x standard USB 2.0 ports)
Rotation Kit	kit for automatic switching of OSD buttons and LED bar in portrait mode
Wi-Fi/BT Module	WLAN module, including Bluetooth functionality
RFID Reader	RFID reader
Battery Backup Package	battery backup package, up to approx. 10 min capacity
DC Kit	24DC Input instead of integrated AC power supply
PCIe x16 Riser Card	PCIe x16 riser card
Operating System	Windows 10 IoT Enterprise LTSC 2019

*For HDD and SSD storage options, please contact your ADLINK sales representative.