

# Novos™ 2000 Arm

## Height Adjustable Articulating Arm

# Data Sheet

## Key Features

- Simple, integrated cable management
- Easy-clean smooth surfaces
- Built-in gas spring for assisted support
- Lockable option
- Compatible with standard systems
- OEM and custom solutions available

## Description

### *The Novos Modular Mounting System - engineered to last*

The Novos 2000 Height Adjustable Arm has been designed to be quickly configured with ease, ensuring that finding the correct configuration for your needs is simple and straightforward. A wide range of mounting options is available to choose from, allowing you the flexibility to customise the Novos System according to your requirements.

Novos is suitable for use in a number of situations, from general display and keyboard applications, to mounting devices or equipment from the leading medical device manufacturers.

The Novos height adjustable arm has a built-in gas spring for assisted support during use, and a lockable version is also available. Novos features simple, integrated cable management to help keep your workspace clean and tidy.

With extensive testing and development put into the range, the Novos System has several European registered designs and two patents pending\*, and is ready for deployment throughout healthcare areas.

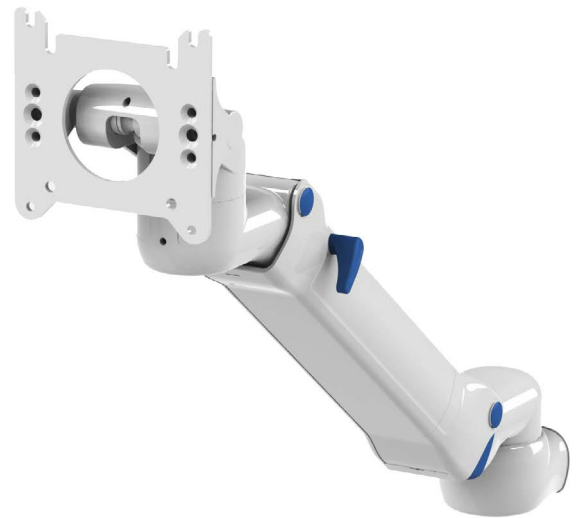
## Ease of Installation

Installation of the Novos 2000 Height Adjustable Arm will vary from one application to another, whether it is attached to a pole within an operating theatre, to a rail system in a dental surgery, or into wall channels in wards and treatment rooms. The Novos Modular Mounting System has a solution that will meet the specifications of medical and clinical environments.

Bytec offers fixing adapters for mounting into wall channels, poles, or European rail systems.

The entire Novos range is compatible with existing standard systems, including proprietary systems operated by different manufacturers. The Novos 2000 Height Adjustable Arm can also support custom fixing adapters for various areas of application, including Anaesthesia and MRI.

\* UK patent application number GB1119392.7 / US patent application number 13-674.593



Horizontal Wall Channel



Quick Release Fitting



Fixed Pole Clamp

## Mounting Options

With such a diversity of displays, keyboards and devices used in today's modern healthcare environments, finding the right mounting options can be daunting. The Novos range provides a comprehensive array of mounting options and accessories for every requirement.

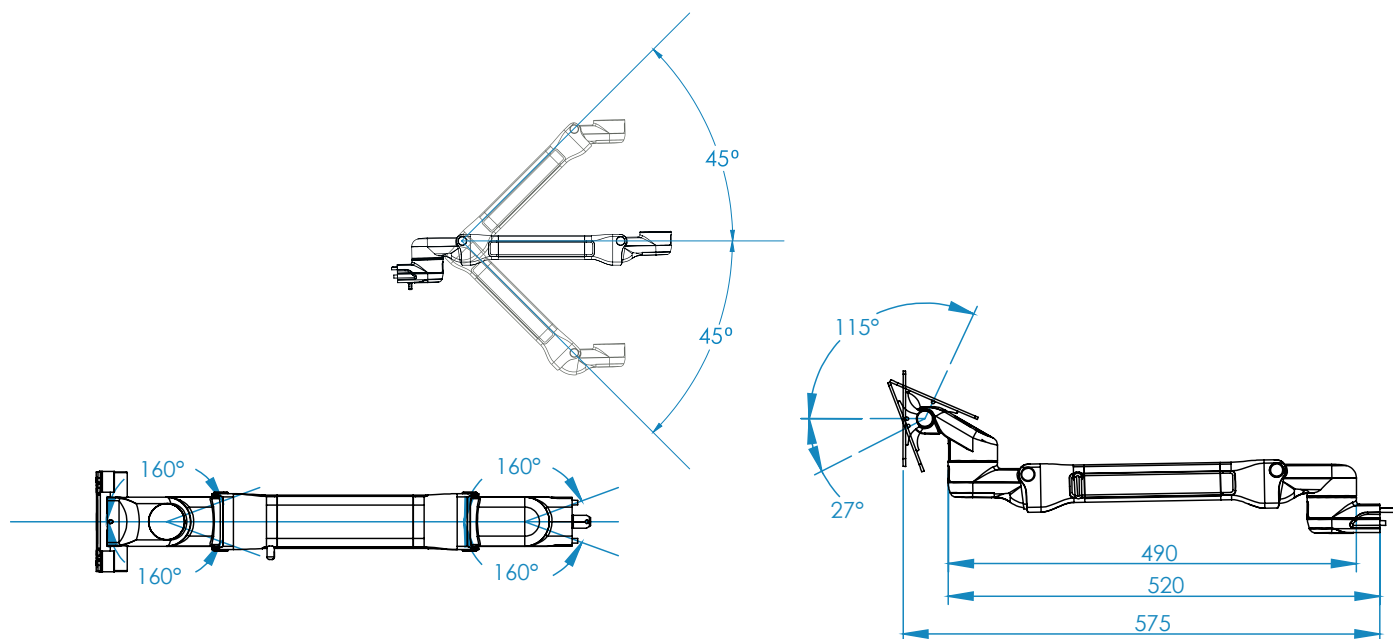
If a mounting option is not available, please contact our Technical Team, who will be able to help you with a custom solution. We can apply our expertise to provide you with a complete Novos System that includes arms, mounting options and wall channels or pole clamps.

## Infection Control

The Novos 2000 Height Adjustable Arm has been designed to meet the rigours of today's busy healthcare environment, not only in its sleek clean lines, but in the engineering detail hidden away inside. The whole system has been engineered to meet the highest standards expected within the medical sector.

As with all Bytec healthcare products, the serious topic of infection control is high on our design brief. With the threat of "super bugs" becoming more widespread, the effectiveness of antibiotics, critically underpinning modern medical treatment, is significantly at risk.

The Novos 2000 Height Adjustable Arm is designed to ensure correct and simple cable management, minimising dirt traps, and providing smooth contoured surfaces for easy cleaning.



All measurements are in mm

## Physical Characteristics

<b>Arm Length:</b> (excluding mounting)	480 mm (in horizontal position)
<b>Material:</b>	Aluminium and Plastic
<b>Finish:</b>	Anodised, powder-coated
<b>Max Weight:</b>	14 kg
<b>Available Colours:</b>	White or Cool Grey (arm colour) Blue or Grey (trim colour)

## Ordering Information

Part Number	Description
NMS-XX-302-XX XX-XX	Height Adjustable Arm, lockable 3-6 kg gas spring
NMS-XX-303-XX XX-XX	Height Adjustable Arm, lockable 7-10 kg gas spring
NMS-XX-304-XX XX-XX	Height Adjustable Arm, lockable 11-14 kg gas spring
NMS-XX-305-XX XX-XX	Height Adjustable Arm, lockable 15-18 kg gas spring
NMS-XX-3XX-00 01-00	Height Adjustable Arm - model as shown on Data Sheet (45 ° VESA 75/100 mount, White with Blue trim)
For non-locking version, replace 30 with 35 (Example: NMS-XX-352-XX XX-XX)	

Please call our Sales Team  
on +44 (0)1737 378 800  
to discuss your specific requirements.



Bytec Medical Limited provides custom OEM design, engineering and manufacturing solutions to the healthcare sector.

[www.bytec.co.uk](http://www.bytec.co.uk)

Bytec Medical Limited  
Unit 1 Perrywood Business Park  
Honeycock Lane, Salfords  
Surrey RH1 5DZ United Kingdom

Tel: +44 (0) 1737 378 800  
Fax: +44 (0) 1737 378 801



# Novos™ Part Numbers

## Modular Mounting System

# Nomenclature

**NMS - XX - XX X - XX XX - X X**

### Fixing Adapters

#### Wall Channel Adapter

- 00 - Vertical Wall Channel
- 01 - Horizontal Wall Channel

#### Pole Mount

- 20 - Universal Pole Clamp (20-42 mm)
- 21 - Fixed 50 mm Pole Clamp

#### Rail Systems

- 40 - 8 mm or 10 mm Horizontal (25-50 mm height)
- 41 - 10 mm x 25 mm Vertical

OEM Fixings - Please call for details

Fixings available for other manufacturer's systems including Philips & Trumpf.

### Arm Type

#### Fixed Height Arm

- 00 - No Arm, flush mount
- 11 - Single Arm 180 mm Section
- 12 - Single Arm 230 mm Section
- 21 - Double Arm 180 mm Sections
- 22 - Double Arm 230 mm Sections

#### Adjustable Height Arm (435 mm section)

- 30 - Adjustable Arm
- 35 - Adjustable Arm with Lock
- 40 - Adjustable Arm + 230 mm extension
- 45 - Adjustable Arm with lock + 230 mm extension

### Gas Support Spring

#### Fixed Height Arm

- 0 - No Gas Spring

#### Adjustable Height Arm

- 2 - 3 kg to 6 kg Gas Spring
- 3 - 7 kg to 10 kg Gas Spring
- 4 - 11 kg to 14 kg Gas Spring
- 5 - 15 kg to 18 kg Gas Spring

### Arm Colour

- 0 - White
- 1 - Cool Grey 2C

### Trim Colour

- 0 - Blue
- 1 - Grey

### Mounting Options

#### Standard

- 00 00 - Standard Flat VESA 75/100
- 00 01 - Standard 45° VESA 75/100

LT 00 - Laptop Tray

QR 00 - Quick Release Fitting

- KB 1x - Fixed Keyboard Mount
- KB 2x - Folding Keyboard Mount
- KB 3x - Space Saver Keyboard Mount

- IT 1x - Display and Fixed Keyboard "V" Mount
- IT 2x - Display and Fixed Keyboard "Z" Mount
- IT 3x - Display and Folding Keyboard "Z" Mount

- 1 - Medi-Key Tray
- 2 - Small Keyboard Tray
- 3 - Medium Keyboard Tray
- 4 - Large Keyboard Tray

#### Philips

- PH 10 - IntelliVue MP 20, 30, 40, 50, 60, 70
- PH 20 - IntelliVue MP 80, 90
- PH 30 - IntelliVue MP2
- PH 40 - IntelliVue MX 800
- PH 50 - SureSigns / Vital Signs

#### Spacelabs

- SP 10 - mCare / Ultraview 2400, 2600
- SP 20 - Ultraview 2700, 2800
- SP 30 - Xpreszoon (VESA 75/100)

#### Fukuda

- FU 10 - 7100 Range
- FU 20 - 7300 Range
- FU 30 - 8500 Range

To discuss other mounting options, please contact our Sales Team on  
+44 (0)1737 378 800



Bytec Medical Limited provides custom OEM design, engineering and manufacturing solutions to the healthcare sector.

[www.bytec.co.uk](http://www.bytec.co.uk)

Bytec Medical Limited  
Unit 1 Perrywood Business Park  
Honeycrook Lane, Salfords  
Surrey RH1 5DZ United Kingdom

Tel: +44 (0) 1737 378 800  
Fax: +44 (0) 1737 378 801



# Novos™ 2000 Arm

Height Adjustable Articulating Arm with Extension

# Data Sheet

## Key Features

- Simple, integrated cable management
- Easy-clean smooth surfaces
- Built-in gas spring for assisted support
- Lockable option
- Compatible with standard systems
- OEM and custom solutions available

## Description

*The Novos Modular Mounting System - engineered to last*

The Novos 2000 Height Adjustable Arm with Extension has been designed to be quickly configured with ease, ensuring that finding the correct configuration for your needs is simple and straightforward. A wide range of mounting options is available to choose from, allowing you the flexibility to customise the Novos System according to your requirements.

Novos is suitable for use in a number of situations, from general display and keyboard applications, to mounting devices or equipment from the leading medical device manufacturers.

The Novos height adjustable arm has a built-in gas spring for assisted support during use, and a lockable version is also available. Novos features simple, integrated cable management to help keep your workspace clean and tidy.

With extensive testing and development put into the range, the Novos System has several European registered designs and two patents pending\*, and is ready for deployment throughout healthcare areas.

## Ease of Installation

Installation of the Novos 2000 Height Adjustable Arm will vary from one application to another, whether it is attached to a pole within an operating theatre, to a rail system in a dental surgery, or into wall channels in wards and treatment rooms. The Novos Modular Mounting System has a solution that will meet the specifications of medical and clinical environments.

Bytec offers fixing adapters for mounting into wall channels, poles, or European rail systems.

The entire Novos range is compatible with existing standard systems, including proprietary systems operated by different manufacturers. The Novos 2000 Height Adjustable Arm can also support custom fixing adapters for various areas of application, including Anaesthesia and MRI.

\* UK patent application number GB1119392.7 / US patent application number 13-674.593



Horizontal Wall Channel



Quick Release Fitting



Fixed Pole Clamp

## Mounting Options

With such a diversity of displays, keyboards and devices used in today's modern healthcare environments, finding the right mounting options can be daunting. The Novos range provides a comprehensive array of mounting options and accessories for every requirement.

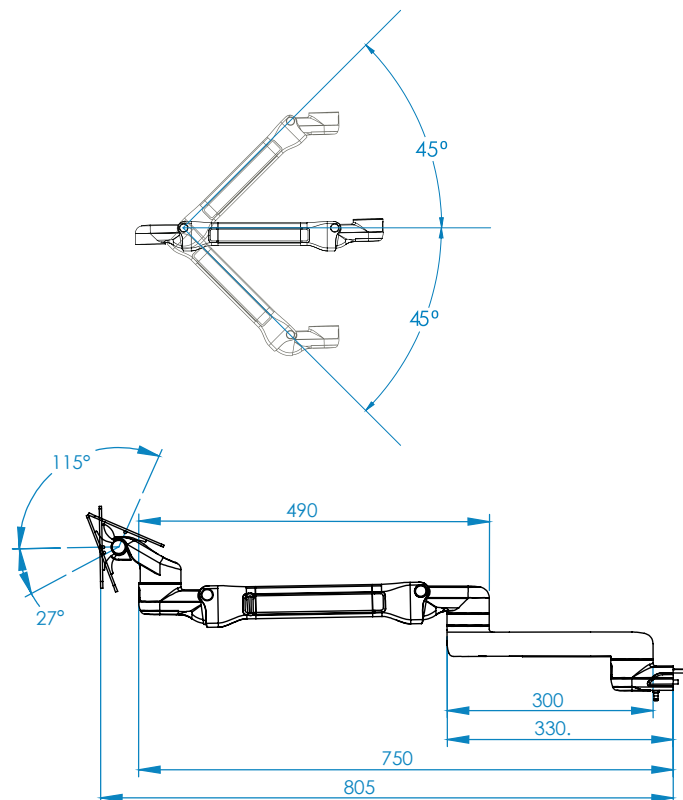
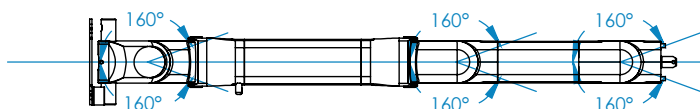
If a mounting option is not available, please contact our Technical Team, who will be able to help you with a custom solution. We can apply our expertise to provide you with a complete Novos System that includes arms, mounting options and wall channels or pole clamps.

## Infection Control

The Novos 2000 Height Adjustable Arm has been designed to meet the rigours of today's busy healthcare environment, not only in its sleek clean lines, but in the engineering detail hidden away inside. The whole system has been engineered to meet the highest standards expected within the medical sector.

As with all Bytec healthcare products, the serious topic of infection control is high on our design brief. With the threat of "super bugs" becoming more widespread, the effectiveness of antibiotics, critically underpinning modern medical treatment, is significantly at risk.

The Novos 2000 Height Adjustable Arm is designed to ensure correct and simple cable management, minimising dirt traps, and providing smooth contoured surfaces for easy cleaning.



All measurements are in mm

## Physical Characteristics

<b>Arm Length:</b> (excluding mounting)	710 mm (in horizontal position)
<b>Material:</b>	Aluminium and Plastic
<b>Finish:</b>	Anodised, powder-coated
<b>Max Weight:</b>	14 kg
<b>Available Colours:</b>	White or Cool Grey (arm colour) Blue or Grey (trim colour)

## Ordering Information

Part Number	Description
NMS-XX-402-XX XX-XX	Height Adjustable Arm with Extension, lockable 3-6 kg gas spring
NMS-XX-403-XX XX-XX	Height Adjustable Arm with Extension, lockable 7-10 kg gas spring
NMS-XX-404-XX XX-XX	Height Adjustable Arm with Extension, lockable 11-14 kg gas spring
NMS-XX-405-XX XX-XX	Height Adjustable Arm with Extension, lockable 15-18 kg gas spring
NMS-XX-4XX-00 01-00	Height Adjustable Arm - model as shown on Data Sheet (45 ° VESA 75/100 mount, White with Blue trim)

For non-locking version, replace 40 with 45  
(Example: NMS-XX-452-XX XX-XX)

**Please call our Sales Team  
on +44 (0)1737 378 800  
to discuss your specific requirements.**



Bytec Medical Limited provides custom OEM design, engineering and manufacturing solutions to the healthcare sector.

[www.bytec.co.uk](http://www.bytec.co.uk)

Bytec Medical Limited  
Unit 1 Perrywood Business Park  
Honeycrook Lane, Salfords  
Surrey RH1 5DZ United Kingdom

Tel: +44 (0) 1737 378 800  
Fax: +44 (0) 1737 378 801



# Novos™ Part Numbers

Modular Mounting System

# Nomenclature



## Fixing Adapters

**Wall Channel Adapter**  
 00 - Vertical Wall Channel  
 01 - Horizontal Wall Channel

**Pole Mount**  
 20 - Universal Pole Clamp (20-42 mm)  
 21 - Fixed 50 mm Pole Clamp

**Rail Systems**  
 40 - 8 mm or 10 mm Horizontal (25-50 mm height)  
 41 - 10 mm x 25 mm Vertical

OEM Fixings - Please call for details

Fixings available for other manufacturers' systems, including Philips & Trumpf.

## Arm Type

**Fixed Height Arm**  
 00 - No Arm, flush mount  
 11 - Single Arm 180 mm Section  
 12 - Single Arm 230 mm Section  
 21 - Double Arm 180 mm Sections  
 22 - Double Arm 230 mm Sections

**Adjustable Height Arm (435 mm section)**  
 30 - Adjustable Arm  
 35 - Adjustable Arm with Lock

40 - Adjustable Arm + 230 mm extension  
 45 - Adjustable Arm with lock + 230 mm extension

## Gas Support Spring

**Fixed Height Arm**  
 0 - No Gas Spring

**Adjustable Height Arm**  
 2 - 3 kg to 6 kg Gas Spring  
 3 - 7 kg to 10 kg Gas Spring  
 4 - 11 kg to 14 kg Gas Spring  
 5 - 15 kg to 18 kg Gas Spring

## Arm Colour

0 - White  
 1 - Cool Grey 2C

## Trim Colour

0 - Blue  
 1 - Grey

## Mounting Options

**Standard**  
 00 00 - Standard Flat VESA 75/100  
 VS 01 - Standard 45° VESA 75/100

LT 00 - Laptop Tray

QR 00 - Quick Release Fitting

KB 1x - Fixed Keyboard Mount  
 KB 2x - Folding Keyboard Mount  
 KB 3x - Space Saver Keyboard Mount

IT 1x - Display and Fixed Keyboard "V" Mount  
 IT 2x - Display and Fixed Keyboard "Z" Mount  
 IT 3x - Display and Folding Keyboard "Z" Mount

- 1 - Medi-Key Tray
- 2 - Small Keyboard Tray
- 3 - Medium Keyboard Tray
- 4 - Large Keyboard Tray

## Philips

PH 10 - IntelliVue MP 20, 30, 40, 50, 60, 70  
 PH 20 - IntelliVue MP 80, 90  
 PH 30 - IntelliVue MP2  
 PH 40 - IntelliVue MX 800  
 PH 50 - SureSigns / Vital Signs

## Spacelabs

SP 10 - mCare / Ultraview 2400, 2600  
 SP 20 - Ultraview 2700, 2800  
 SP 30 - Xpreszoon (VESA 75/100)

## Fukuda

FU 10 - 7100 Range  
 FU 20 - 7300 Range  
 FU 30 - 8500 Range

To discuss other mounting options, please contact our Sales Team on  
 +44 (0)1737 378 800



Bytec Medical Limited provides custom OEM design, engineering and manufacturing solutions to the healthcare sector.

[www.bytec.co.uk](http://www.bytec.co.uk)

Bytec Medical Limited  
 Unit 1 Perrywood Business Park  
 Honeycrook Lane, Salfords  
 Surrey RH1 5DZ United Kingdom

Tel: +44 (0) 1737 378 800  
 Fax: +44 (0) 1737 378 801





# Novos™ 500 Single Arm

## Modular Mounting System

# Data Sheet

## Key Features

- Simple, integrated cable management
- Easy-clean smooth surfaces
- Two lengths available
- Wide range of mounting options and accessories
- Compatible with standard systems
- OEM and custom solutions available



## Description

### *The Novos Modular Mounting System - engineered to last*

The Novos 500 Single Arm has been designed to be quickly configured with ease, ensuring that finding the correct configuration for your needs is simple and straightforward. A wide range of mounting options is available to choose from, allowing you the flexibility to customise the Novos System according to your requirements.

Novos is suitable for use in a number of situations, from general display and keyboard applications, to mounting devices or equipment from the leading medical device manufacturers.

The Novos single horizontal articulated arm features simple, integrated cable management to help keep your workspace clean and tidy.

With extensive testing and development put into the range, the Novos System has several European registered designs and two patents pending\*, and is ready for deployment throughout healthcare areas.

## Ease of Installation

Installation of the Novos 500 Single Arm will vary from one application to another, whether it is attached to a pole within an operating theatre, to a rail system in a dental surgery, or into wall channels in wards and treatment rooms. The Novos Modular Mounting System has a solution that will meet the specifications of medical and clinical environments.

Bytec offers fixing adapters for mounting into wall channels, poles, or European rail systems.

The entire Novos range is compatible with existing standard systems, including proprietary systems operated by different manufacturers. The Novos 500 Single Arm can also support custom fixing adapters for various areas of application, including Anaesthesia and MRI.

\* UK patent application number GB1119392.7 / US patent application number 13-674.593



Horizontal Wall Channel



Quick Release Fitting



Fixed Pole Clamp

## Mounting Options

With such a diversity of displays, keyboards and devices used in today's modern healthcare environments, finding the right mounting options can be daunting. The Novos range provides a comprehensive array of mounting options and accessories for every requirement.

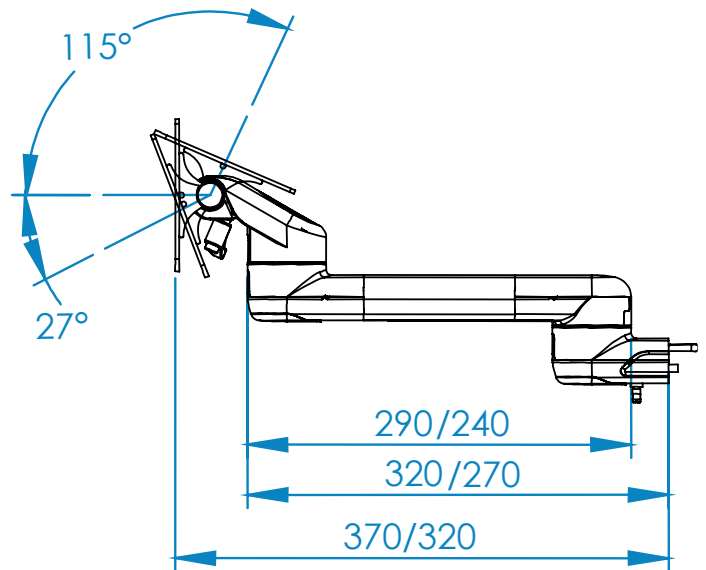
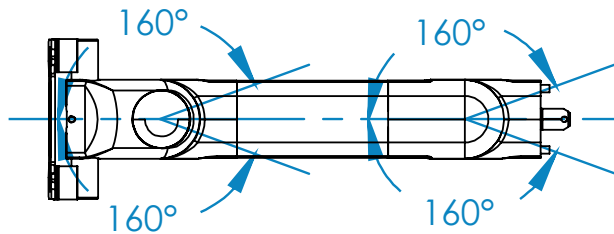
If a mounting option is not available, please contact our Technical Team, who will be able to help you with a custom solution. We can apply our expertise to provide you with a complete Novos System that includes arms, mounting options and wall channels or pole clamps.

## Infection Control

The Novos 500 Single Arm has been designed to meet the rigours of today's busy healthcare environment, not only in its sleek clean lines, but in the engineering detail hidden away inside. The whole system has been engineered to meet the highest standards expected within the medical sector.

As with all Bytec healthcare products, the serious topic of infection control is high on our design brief. With the threat of "super bugs" becoming more widespread, the effectiveness of antibiotics, critically underpinning modern medical treatment, is significantly at risk.

The Novos 500 Single Arm is designed to ensure correct and simple cable management, minimising dirt traps, and providing smooth contoured surfaces for easy and quick wipe down.



All measurements are in mm

## Physical Characteristics

<b>Arm Length:</b> (excluding mounting)	225 mm (180 mm section) 275 mm (230 mm section)
<b>Material:</b>	Aluminium and Plastic
<b>Finish:</b>	Anodised, powder-coated
<b>Max Weight:</b>	18 kg
<b>Available Colours:</b>	White or Cool Grey (arm colour) Blue or Grey (trim colour)

## Ordering Information

Part Number	Description
NMS-XX-110-XX XX-XX	Single Horizontal Arm 180 mm section
NMS-XX-120-XX XX-XX	Single Horizontal Arm 230 mm section
NMS-00-1XX-00 01-00	Single Horizontal Arm - model as shown on Data Sheet (Vertical Wall Channel, 45 ° VESA 75/100 mount, White with Blue trim)

Please call our Sales Team  
on +44 (0)1737 378 800  
to discuss your specific requirements.



Bytec Medical Limited provides custom OEM design, engineering and manufacturing solutions to the healthcare sector.

[www.bytec.co.uk](http://www.bytec.co.uk)

Bytec Medical Limited  
Unit 1 Perrywood Business Park  
Honeycrock Lane, Salfords  
Surrey RH1 5DZ United Kingdom

Tel: +44 (0) 1737 378 800  
Fax: +44 (0) 1737 378 801





# Novos™ Part Numbers

## Modular Mounting System

# Nomenclature



### Fixing Adapters

**Wall Channel Adapter**  
 00 - Vertical Wall Channel  
 01 - Horizontal Wall Channel

**Pole Mount**  
 20 - Universal Pole Clamp (20-42 mm)  
 21 - Fixed 50 mm Pole Clamp

**Rail Systems**  
 40 - 8 mm or 10 mm Horizontal (25-50 mm height)  
 41 - 10 mm x 25 mm Vertical

OEM Fixings - Please call for details

Fixings available for other manufacturers' systems, including Philips & Trumpf.

### Arm Type

**Fixed Height Arm**  
 00 - No Arm, flush mount  
 11 - Single Arm 180 mm Section  
 12 - Single Arm 230 mm Section  
 21 - Double Arm 180 mm Sections  
 22 - Double Arm 230 mm Sections

**Adjustable Height Arm (435 mm section)**  
 30 - Adjustable Arm  
 35 - Adjustable Arm with Lock

40 - Adjustable Arm + 230 mm extension  
 45 - Adjustable Arm with lock + 230 mm extension

### Gas Support Spring

**Fixed Height Arm**  
 0 - No Gas Spring

**Adjustable Height Arm**  
 2 - 3 kg to 6 kg Gas Spring  
 3 - 7 kg to 10 kg Gas Spring  
 4 - 11 kg to 14 kg Gas Spring

### Arm Colour

0 - White  
 1 - Cool Grey 2C

### Trim Colour

0 - Blue  
 1 - Grey

### Mounting Options

#### Standard

00 00 - Standard Flat VESA 75/100  
 VS 01 - Standard 45° VESA 75/100

LT 00 - Laptop Tray

QR 00 - Quick Release Fitting

KB 1x - Fixed Keyboard Mount  
 KB 2x - Folding Keyboard Mount  
 KB 3x - Space Saver Keyboard Mount

IT 1x - Display and Fixed Keyboard "V" Mount  
 IT 2x - Display and Fixed Keyboard "Z" Mount  
 IT 3x - Display and Folding Keyboard "Z" Mount

- 1 - Medi-Key Tray
- 2 - Small Keyboard Tray
- 3 - Medium Keyboard Tray
- 4 - Large Keyboard Tray

#### Philips

PH 10 - IntelliVue MP 20, 30, 40, 50, 60, 70  
 PH 20 - IntelliVue MP 80, 90  
 PH 30 - IntelliVue MP2  
 PH 40 - IntelliVue MX 800  
 PH 50 - SureSigns / Vital Signs

#### Spacelabs

SP 10 - mCare / Ultraview 2400, 2600  
 SP 20 - Ultraview 2700, 2800  
 SP 30 - Xpreszcon (VESA 75/100)

#### Fukuda

FU 10 - 7100 Range  
 FU 20 - 7300 Range  
 FU 30 - 8500 Range

To discuss other mounting options, please contact our Sales Team on  
 +44 (0)1737 378 800



Bytec Medical Limited provides custom OEM design, engineering and manufacturing solutions to the healthcare sector.

[www.bytec.co.uk](http://www.bytec.co.uk)

Bytec Medical Limited  
 Unit 1 Perrywood Business Park  
 Honeycrook Lane, Salfords  
 Surrey RH1 5DZ United Kingdom

Tel: +44 (0) 1737 378 800  
 Fax: +44 (0) 1737 378 801

